

LV-671 Quick Reference

Intel Pentium-M Platform with

Intel 855GM GMCH, 1GB DDR SDRAM

Gigabit Ethernet controller, USB2.0

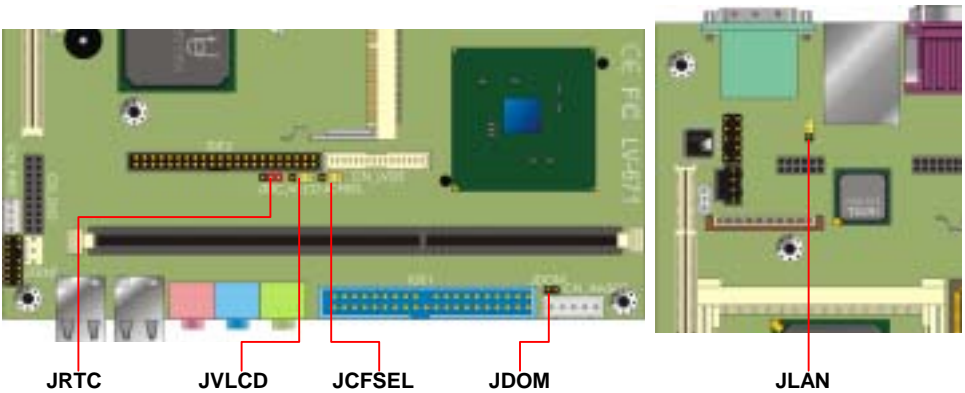
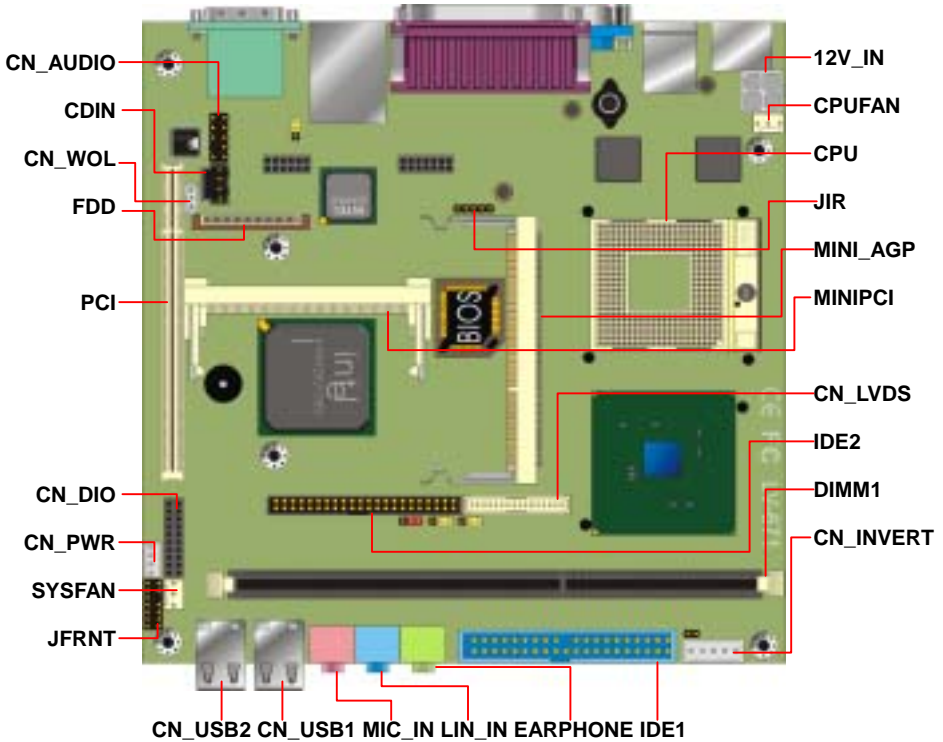
5.1 Channel audio and Optical Audio



Specifications

Form Factor	Mini-Flex ATX / Mini-ITX Motherboard, 170 x 170 mm (W x L)
CPU	Intel Pentium-M processor with 400MHz FSB
Memory	One 184-pin DIMM slots support up to 1GB DDR 200/266MHz RAM
Chipset	Intel 855GM and 82801DB ICH4
Real Time Clock	Intel ICH4 integrated RTC with onboard lithium battery
Power Management	ACPI 1.0 compliant, supports power saving mode with ATX PSU
Expansive Slot	1 x slim PCI expansive slot Optional mini-AGP or mini-PCI socket
PCI Enhanced IDE	Dual UltraATA/100 IDE channels up to 4 ATAPI devices
GPIO	One 20-pin Digital I/O connector with 15-bit programmable I/O
VGA Interface	Intel 855GM chipset built-in GMCH 3D SVGA controller 3D/2D engine with 64 MB shared with system memory Onboard 40-pin LVDS LCD connector
LAN Interface	Intel 82540EM Gigabit Ethernet controller 10Base-T/100Base-TX/1000Base-T auto-switching, IEEE802.3U compliant
Audio Interface	Realtek ALC650 AC97 5.1 channel audio interface with line-in/Rear, line-out/Front, Mic-in/Center, CD-in,
Card Bus	One PCMCIA Type I/II slot
Solid State Disk	Support 40-pin DOM on IDE1 and one Compact Flash Card Socket I/II
Multiple I/O Port	PS/2 keyboard and mouse, parallel and IrDA ports 6 x USB ports (two external and four internal USB ports)
External I/O Port	PS/2 keyboard and mouse DB25 female LPT port, DB15 female VGA, Optical Fiber Audio RJ45 LAN, dual USB Two DB9 male COM1&2, Speaker out
Power Requirement	19V/12V DC Adapter and onboard 4-pin AT power connector
Board Dimension	170 x 170 mm or 6.7 x 6.7 inches
Operation Temperature	0 ~ 60°C (32 ~ 140°F)

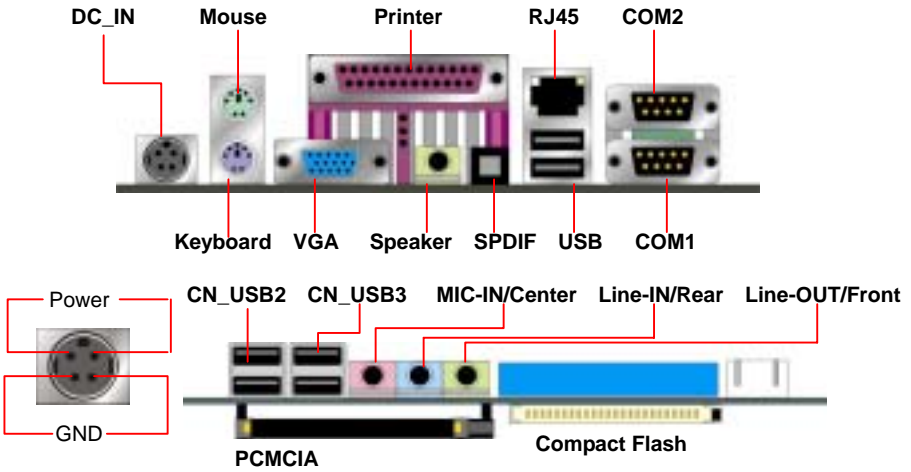
Jumper and Connector Location



Jumpers and Connectors

Jumpers		
JRTC	1-2	Normal Mode
	2-3	Clear CMOS
JVLCD (Panel Voltage)	1-2	5V
	2-3	3.3V
JCFSEL (CF Card Select)	1-2	Master
	2-3	Slave
JLAN (LAN Switch)	1-2	Enable
	2-3	Disable
JDOM	On	IDE pin-20 5V power supply
	OFF	None IDE pin-20 power supply
Connectors		
Connector	Function	Remark
CPU	MicroPGA479 CPU Socket	Standard
DIMM1	184-pin DIMM Socket	Standard
IDE1	40-pin Primary IDE Port	Standard
IDE2	44-pin Secondary IDE Port	Standard
FDD	34-pin FDD Port	Standard
JIR	5-pin SIR IrDA Port	Standard
12V_IN	4-pin AT Power Connector	Standard
CN_PWR	4-pin Additional +12V Power Supply	Standard
JFRNT	14-pin Switch and Indicator Connector	Standard
CPUFAN	3-pin +12V CPU Fan Connector	Standard
SYSFAN	3-pin +12V System Fan Connector	Standard
CN_JAUDIO	10-pin Audio Port	Standard
CDIN	4-pin CD-in Interface	Standard
CN_WOL	3-pin Wake-On-LAN Interface	Standard
CN_LVDS	40-pin LVDS connector	Standard
CN_INVERT	5-pin LCD Inverter Power Connector	Standard
PCI	Slim type PCI slot	Standard
CN_DIO	General Purpose I/O port	Standard
MINI_AGP	Onboard 144-pin mini-AGP socket	For LV-671-MA
MINIPCI	Onboard 144-pin mini-PCI socket	For LV-671-MP

I/O Ports



Front Panel Connector

Connector: **JFRNT**

Type: onboard 14-pin (2 x 7) 2.54-pitch header



Function	Signal	PIN		Signal	Function
IDE LED	Vcc (+)	1	2	(+) Vcc	Power LED
	Active	3	4	N/C	
Reset	Reset	5	6	GND	
	GND	7	8	Vcc	
	N/C	9	10	N/C	Speaker
Power	PWRBT	11	12	N/C	
Button	GND	13	14	SPKIN	