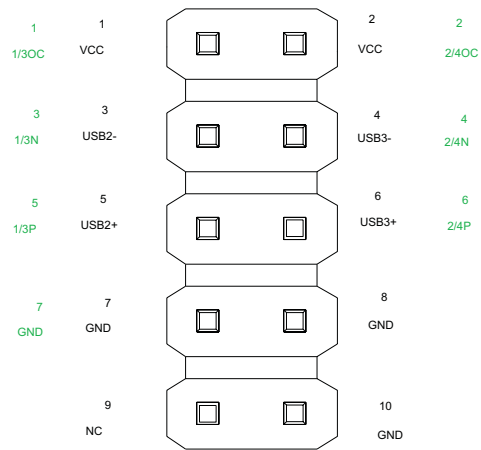
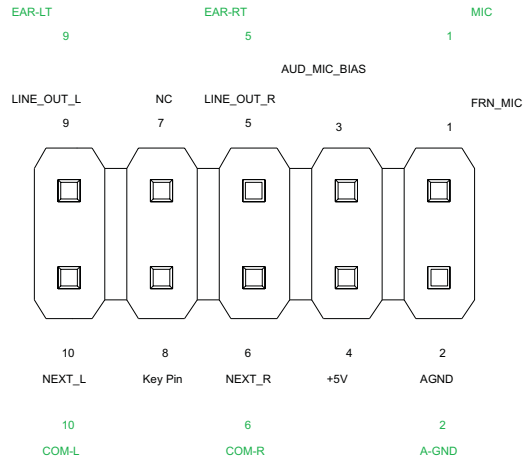


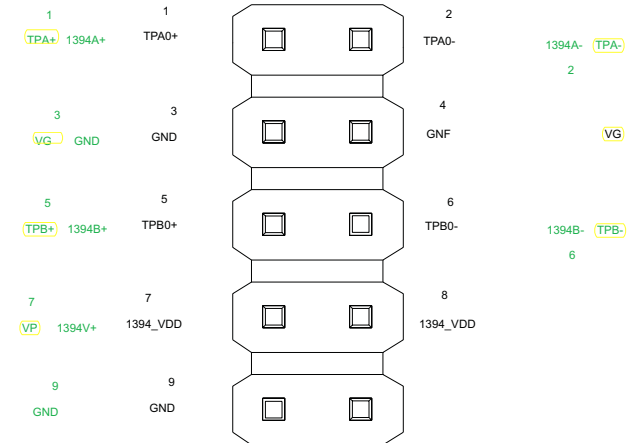
### USB Definition



### Audio Definition



### IEEE1394 Definition



|     |      |             |     |                              |  |           |  |                    |  |
|-----|------|-------------|-----|------------------------------|--|-----------|--|--------------------|--|
| 4   |      |             |     | Chyang Fun Industry Co., Ltd |  | PART NO.: |  |                    |  |
| 3   |      |             |     | DRAWN BY                     |  | Fred Tung |  | EPM Pin Definition |  |
| 2   |      |             |     | CHECKED BY                   |  |           |  | DRAWING NO.        |  |
| 1   |      |             |     | APPROVAL BY                  |  |           |  | DRAWING SIZE       |  |
| NO. | ITEM | DESCRIPTION | QTY | SORTING NO.                  |  |           |  | UNIT               |  |
|     |      |             |     |                              |  |           |  | 1:1                |  |
|     |      |             |     |                              |  |           |  | A3                 |  |
|     |      |             |     |                              |  |           |  | mm                 |  |
|     |      |             |     |                              |  |           |  | PAGE               |  |
|     |      |             |     |                              |  |           |  | 1 OF 1             |  |