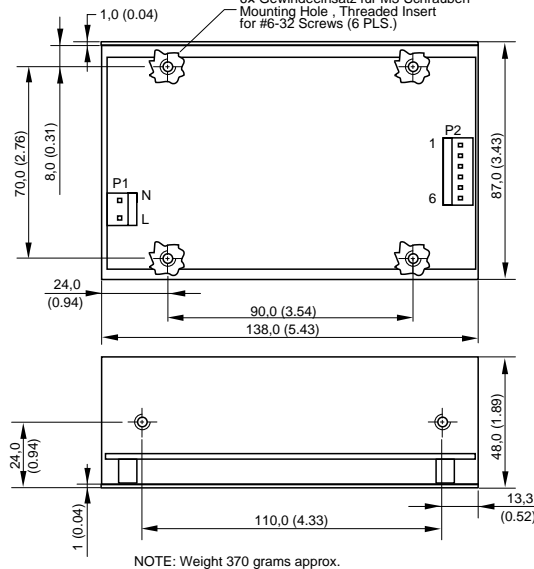


Übersicht Gehäuse

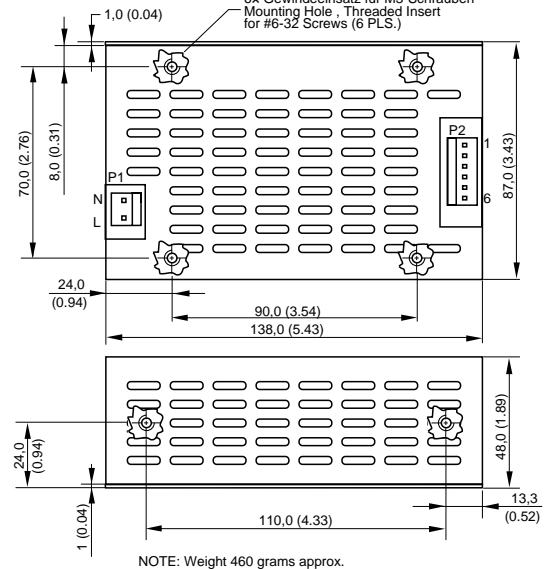
Open Frame (L-Bracket) • Case (Enclosed Formats)

PU 30-Serie

B Version (Open Frame)



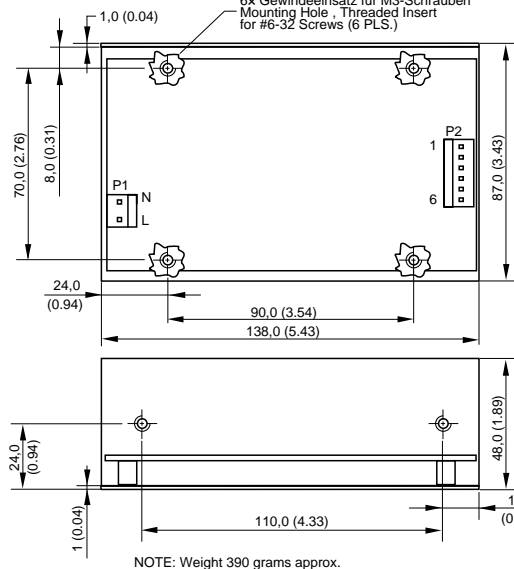
C Version (Case)



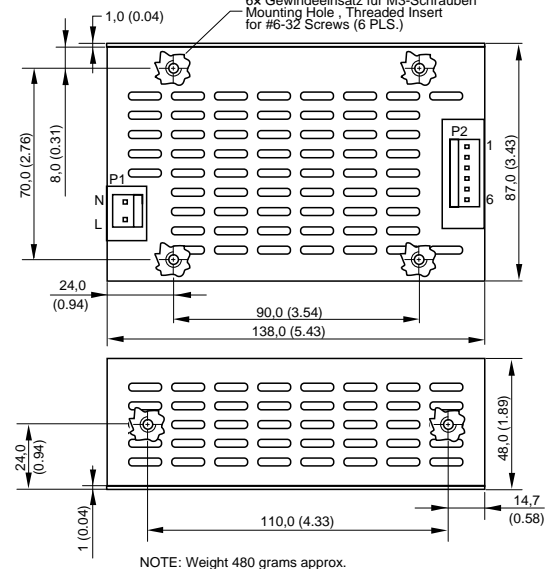
Toleranzen
Tolerances = 0,5mm (0.02 inch)

PU 40-Serie • PD 40-Serie • PM 40-Serie

B Version (Open Frame)



C Version (Case)



Toleranzen
Tolerances = 0,5mm (0.02 inch)

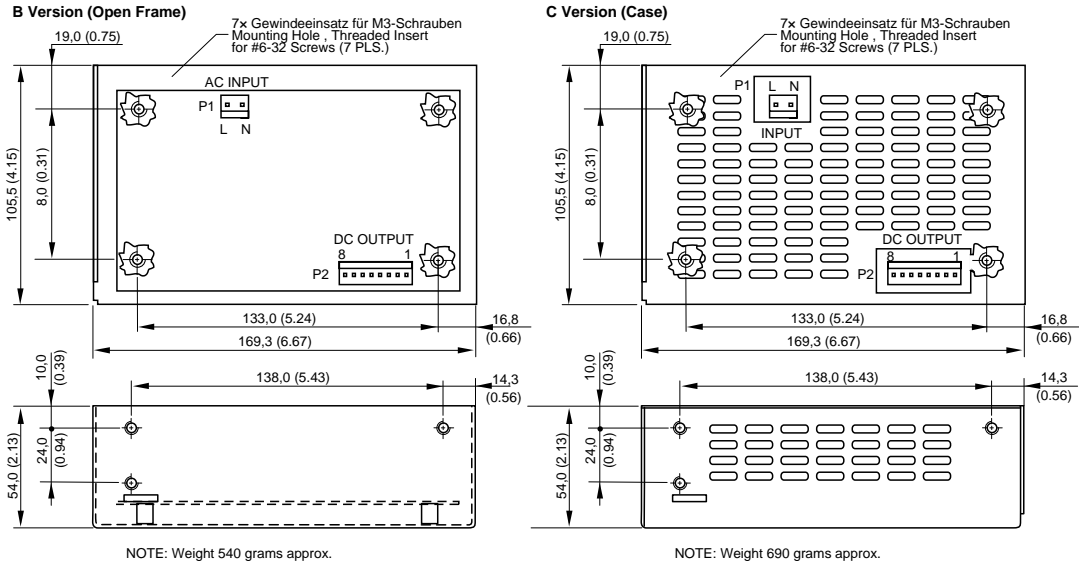
GEHÄUSE

Übersicht Gehäuse

Open Frame (L-Bracket) • Case (Enclosed Formats)

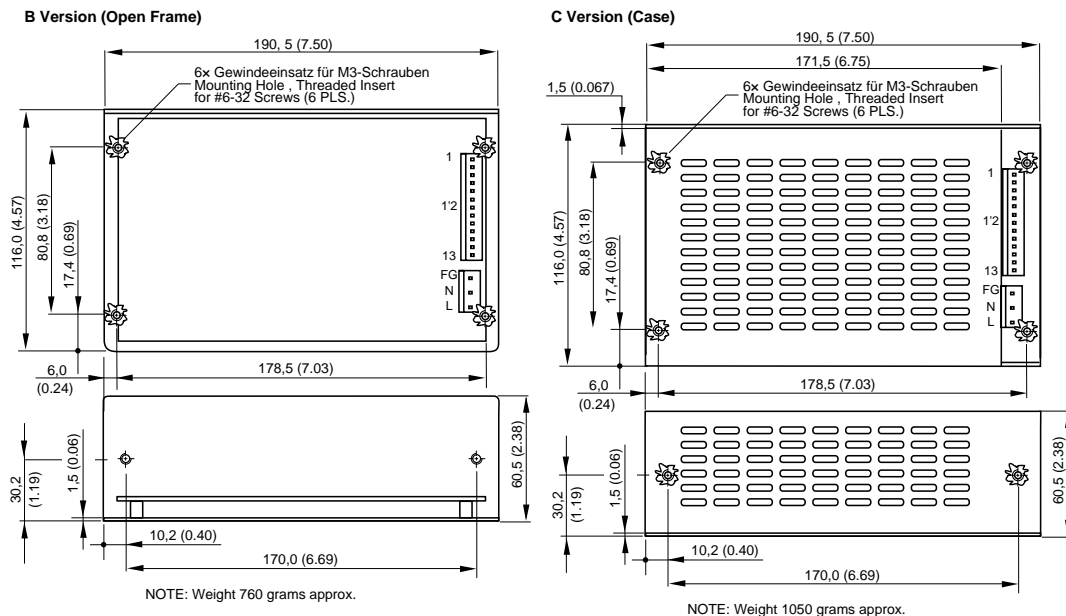
**OPEN
FRAME/
CASE**

PU 65-Serie • PD 65-Serie • PM 65-Serie



Toleranzen
 Tolerances = 0,5mm (0.02 inch)

PU 110-Serie • PD 110-Serie • PM 110-Serie



Toleranzen
 Tolerances = 0,5mm (0.02 inch)

MEMO: